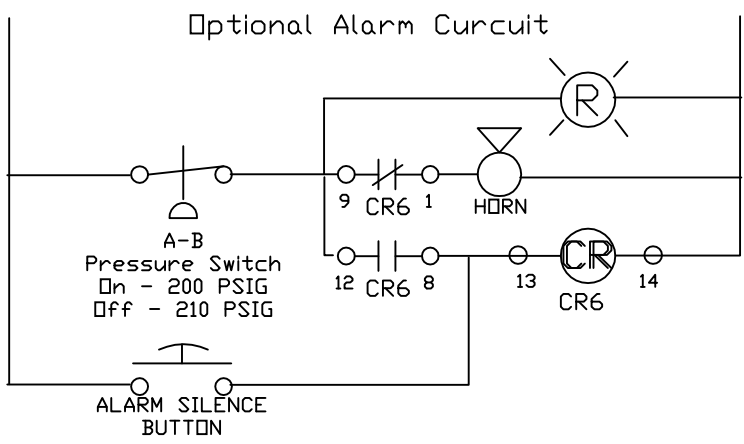


NOTE:
 60KW, 90KW heaters have two contactors and an additional temperature controller.
 See element wiring diagram for bussing details.



REVISIONS	
NO.	DESCRIPTION DATE
3	Changed Acuator 01 12.14

Carbo Tech, Inc.
 EQUIPMENT

P.O. Box 1938 -- Marietta, Georgia 30066
 8, 15, 30, 45, 60KW Cast Pressure Build Vaporizer Control Wiring Diagram
 DRN BY: J.W.W. SCALE: NONE
 CAD BY: DATE: 10.8.98
 VAP-527-24