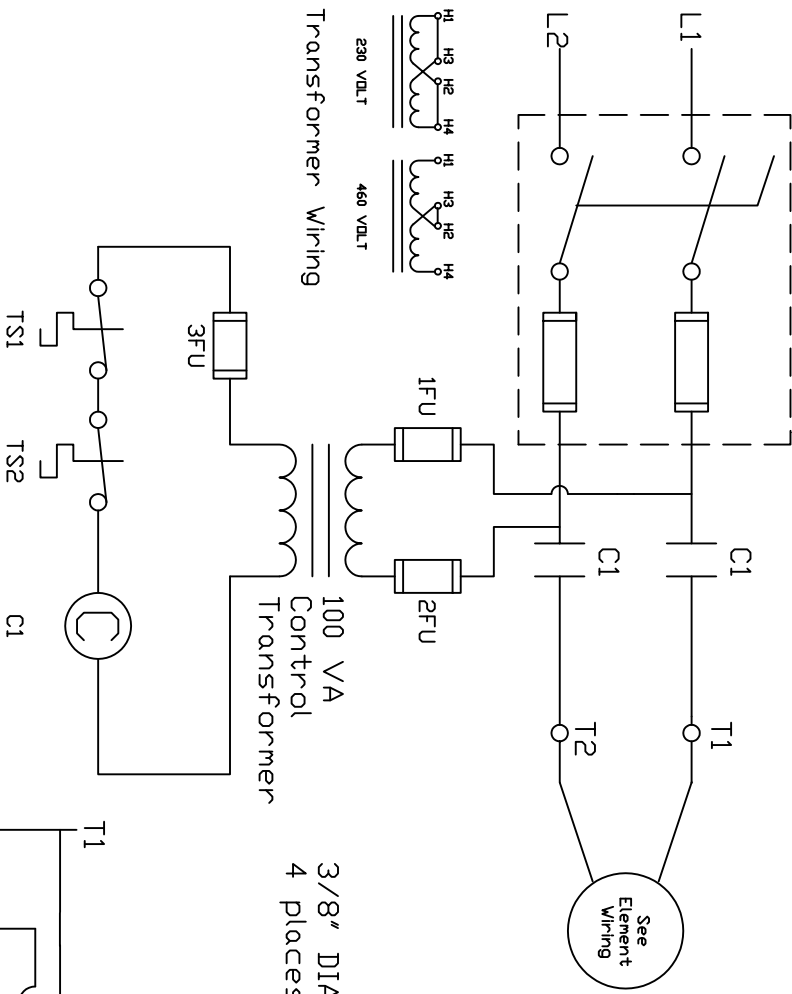
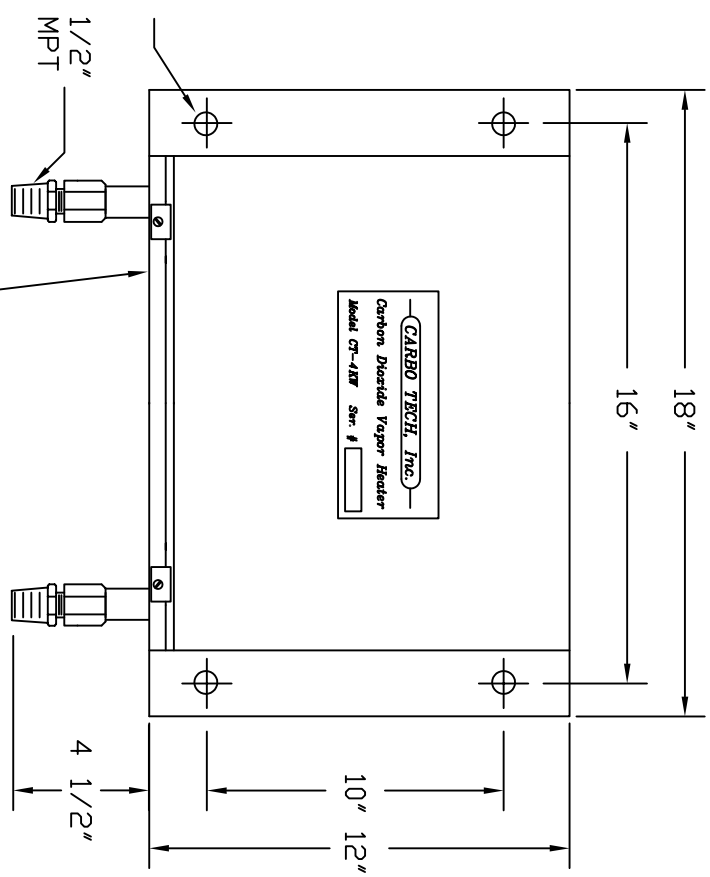
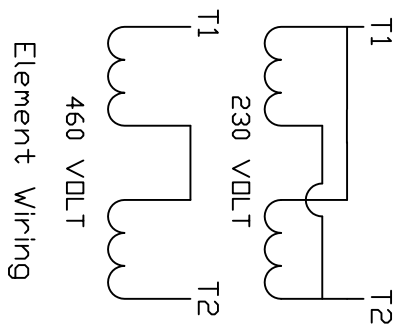


Disconnect Supplied By Others



3FU	2 AMP FUSE
1,2FU	240 V-1 A, 460 V-1/2 A
TSS2	W-R 3L05-5 SET @ 200° F
TS1	HONEYWELL T6031-1029
C1	C-H C25DUD325A
ITEM	DESCRIPTION
	PARTS LIST



NO.	DESCRIPTION	DATE

Carbo Tech, Inc.
 EQUIPMENT
 P.O. Box 1936 --- Monroe, Georgia 30655
 Carbo Tech Model CT-4KW
 Carbon Dioxide Vapor Heater
 DRN BY: J.W.W. SCALE: NONE
 CRD BY: DATE: 8.25.87
 VH-005-2124