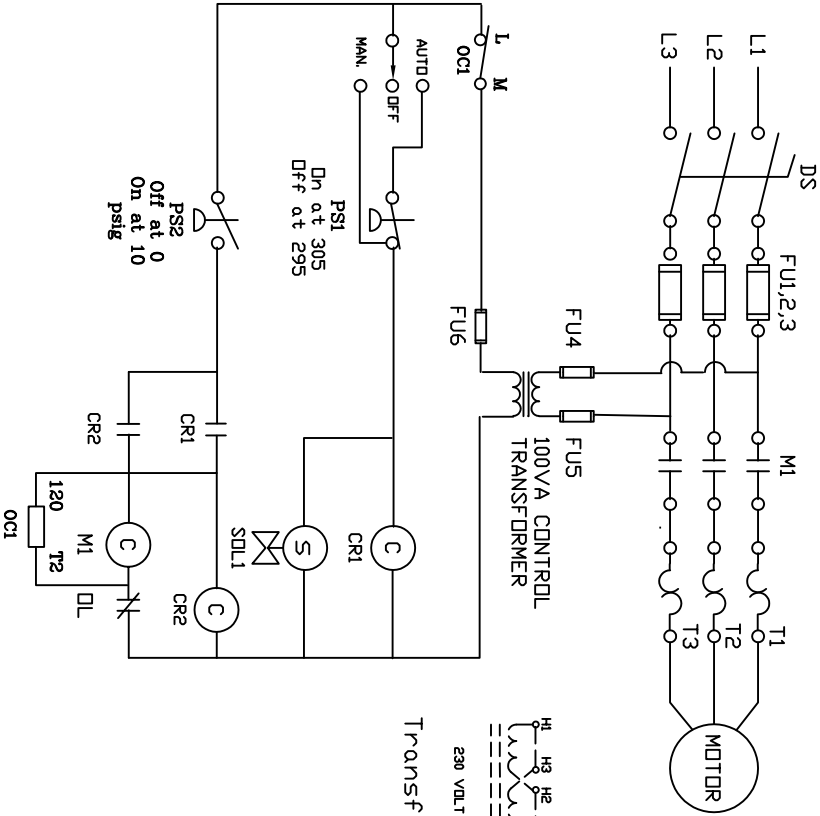


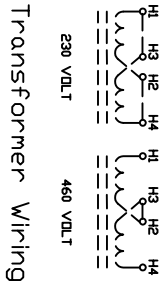
CUTLER HAMMER ELECTRIC PANEL  
P/N ECN1622AHE



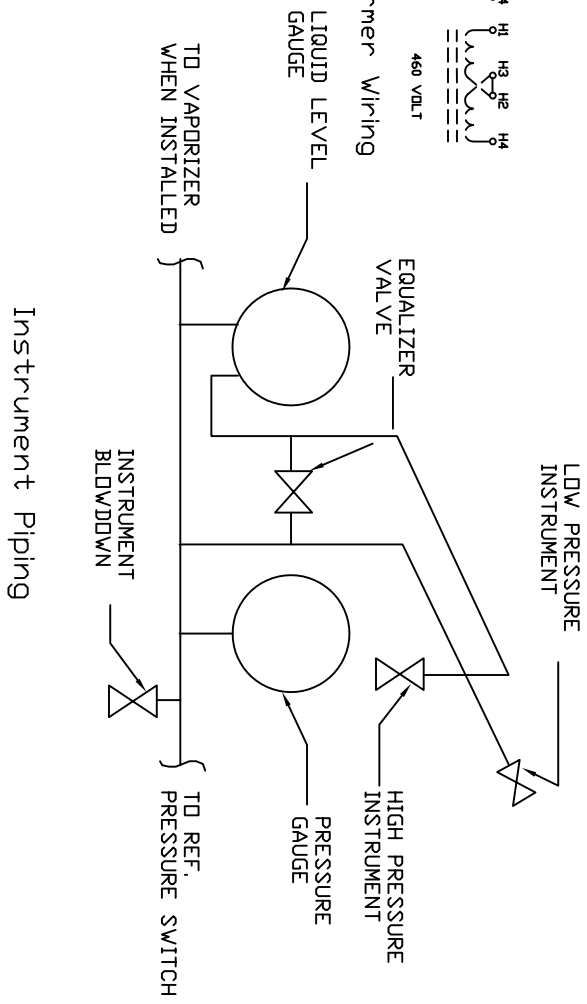
Electrical Schematic

OCI	OIL PRESSURE CONTROL
SOI1	ME10S250 SOLENOID VALVE
-	B100BTZ13RB MICRON CONTROL TRANSFORMER
CR1,2	RH1B IDEC CONTROL RELAY
PS2	REFRIGERANT PRESSURE CONTROL
PS1	836-A4 A-B PRESSURE SWITCH
FU6	FNM-2 FUSE
FU4,5	240V.-KTK-R-1 / 460V.-KTK-R-1/2 FUSE
FU1,2,3	600V. FUSES, SIZED ACCORDING TO LOAD

LEGEND



Transformer Winding



Instrument Piping

NO.	DESCRIPTION	DATE

REVISIONS

**Carbo Tech, Inc.**  
 P.O. Box 1936 -- Morrow, Georgia 30665  
 6 HP Refrigeration  
 Carbon Dioxide Storage Unit  
 Electrical - Instrument Piping  
 DRN BY: J.W.W. SCALE: NONE  
 CKD BY: DATE: 7.24.91  
 CAR-082-23