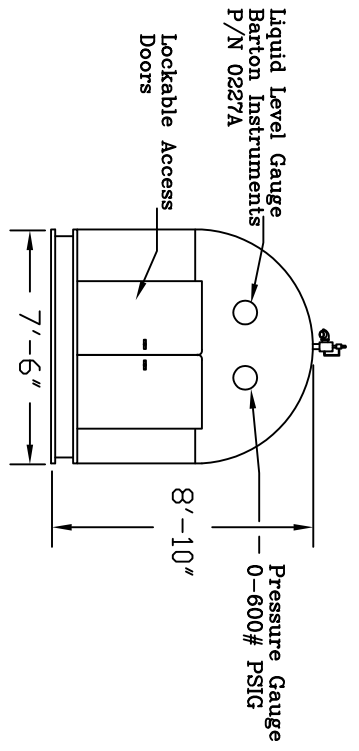
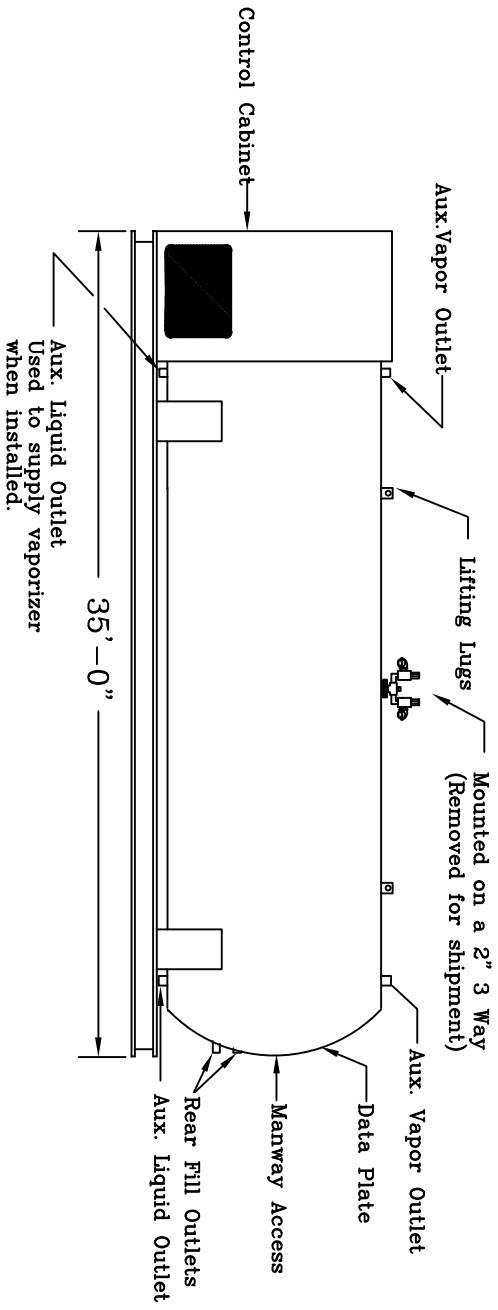


Dual Safety Relief Valve Assembly
 2 ea. - Anderson Greenwood
 P/N 83F5M1216G (83F5M1624J for indoor installation)
 Set @ 350 PSIG
 Mounted on a 2" 3 Way
 (Removed for shipment)



- NOTE:
- Vessel is insulated with 4" urethane insulation, then covered with .063 white aluminum.
 - Shipping weight - 30,000#.
 - Vessel shown is for reference only. For exact vessel dimensions, see pressure vessel drawing # CAR-210-22A.

NO.	DESCRIPTION	DATE

CARBO TECH, Inc.
 P.O. Box 1938 --- Monroe, Georgia 30655
 30 Ton
 Carbon Dioxide Storage Unit
 General Outline
 DRN BY: J.W.W.
 CKD BY: _____
 SCALE: None
 DATE: 10.10.97
 CAR-544-21