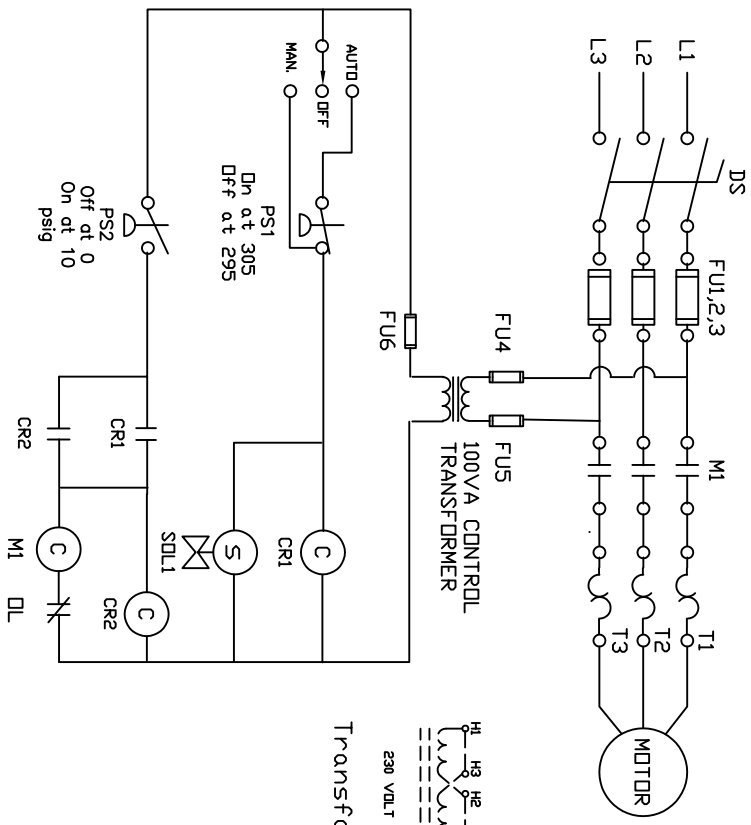
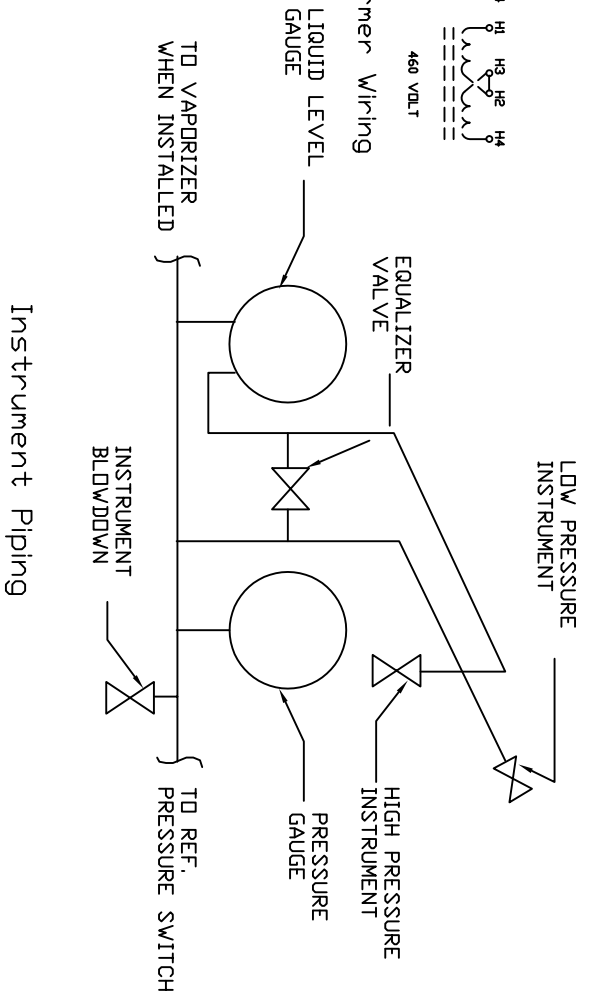
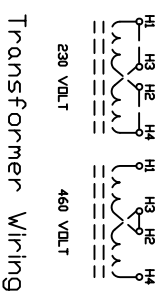


CUTLER HAMMER ELECTRIC PANEL  
P/N ECN1612AHC



Electrical Schematic

SOL1	ME6S130.140 SOLENOID VALVE
	B100B1Z13RB MICRON CONTROL TRANSFORMER
CR1,2	RH1B IDEC CONTROL RELAY
PS2	REFRIGERANT PRESSURE CONTROL
PS1	A-B PRESSURE SWITCH P/N 836-A4
FU6	FNM-2 FUSE
FU4,5	240V.-KTK-R-1 / 460V.-KTK-R-1/2 FUSE
FU1,2,3	600V. FUSES, SIZED ACCORDING TO LOAD
LEGEND	



Instrument Piping

NO.	DESCRIPTION	DATE

**Carbo Tech, Inc.**  
 EQUIPMENT  
 P.O. Box 1938 -- Monroe, Georgia 30665  
 1,2,3 HP Refrigeration Systems  
 Carbon Dioxide Storage Unit  
 Electrical-Instrument Piping  
 DRN BY: J.W.W.  
 CKD BY: \_\_\_\_\_  
 SCALE: NONE  
 DATE: 10.10.97  
 CAR-081-24